

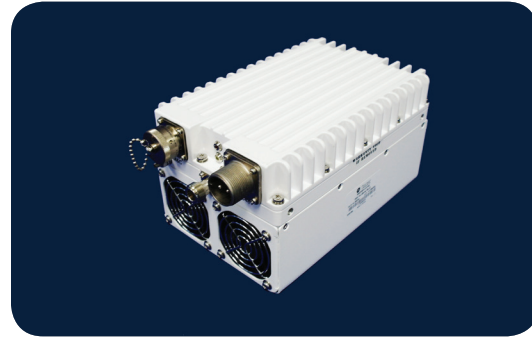


BUC

MEDIAN SERIES

KU-BAND 16W

MEDIBKU016



NORSAT MEDIAN SERIES BUCS

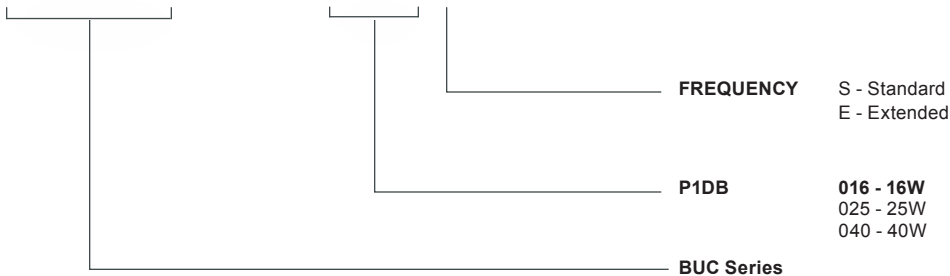
Norsat Satellite Communication solutions are renowned for their high quality, reliability, and innovation. The Ku-band MEDIAN series has been designed with both performance and economy in mind, making it ideal for VSAT applications where size, weight and power constraints are not as stringent.

FREQUENCY BANDS

Model	MEDIBKU016S	MEDIBKU016E
Output frequency (MHz)	14.0 – 14.5 GHz	13.75 – 14.5 GHz
L.O. frequency (GHz)	13.05 GHz	12.80 GHz
Input frequency (MHz)	950 – 1450 MHz	950 – 1700 MHz

HOW TO ORDER

MEDIBKU016S



*Call for additional options.



KU-BAND 16W BUC - MEDIBKU016

RF SPECIFICATIONS

Output Power (P1db)	42 dBm min
External Reference	10MHz
Reference Power Level	-5 dBm to +5dBm
Phase Noise (SSB)	-73 dBc/Hz at 1 KHz -83 dBc/Hz at 10 KHz -93 dBc/Hz at 100 KHz -103 dBc/Hz at 1 MHz
Gain	65 dB nominal
Gain flatness	+/- 1.5 dB p-p over full std band +/- 2.0 dB p-p over full ext band +/- 0.5 dB p-p over 36 MHz
Gain variation over temperature	+/- 1.5 dB
Gain variation over 24hrs	+/-0.5 dB max at constant temp
Output Spurious	-55 dBc max
IM3	25 dBc at 3 dB back-off from rated 30 dBc at 6 dB back-off from rated
Gain Adjustment Range	20 dB

INTERFACES

Input VSWR	1.5 : 1
Output VSWR	1.25 : 1
Input Connector	Type-N, female
Output Connector	WR75-G (grooved)

ENVIRONMENTAL & PHYSICAL

Temperature (operational)	-30°C to +55°C
Humidity (operational)	IP65
Dimensions (L x W x H)	206 x 136 x 117 mm
Weight	4.5 kg

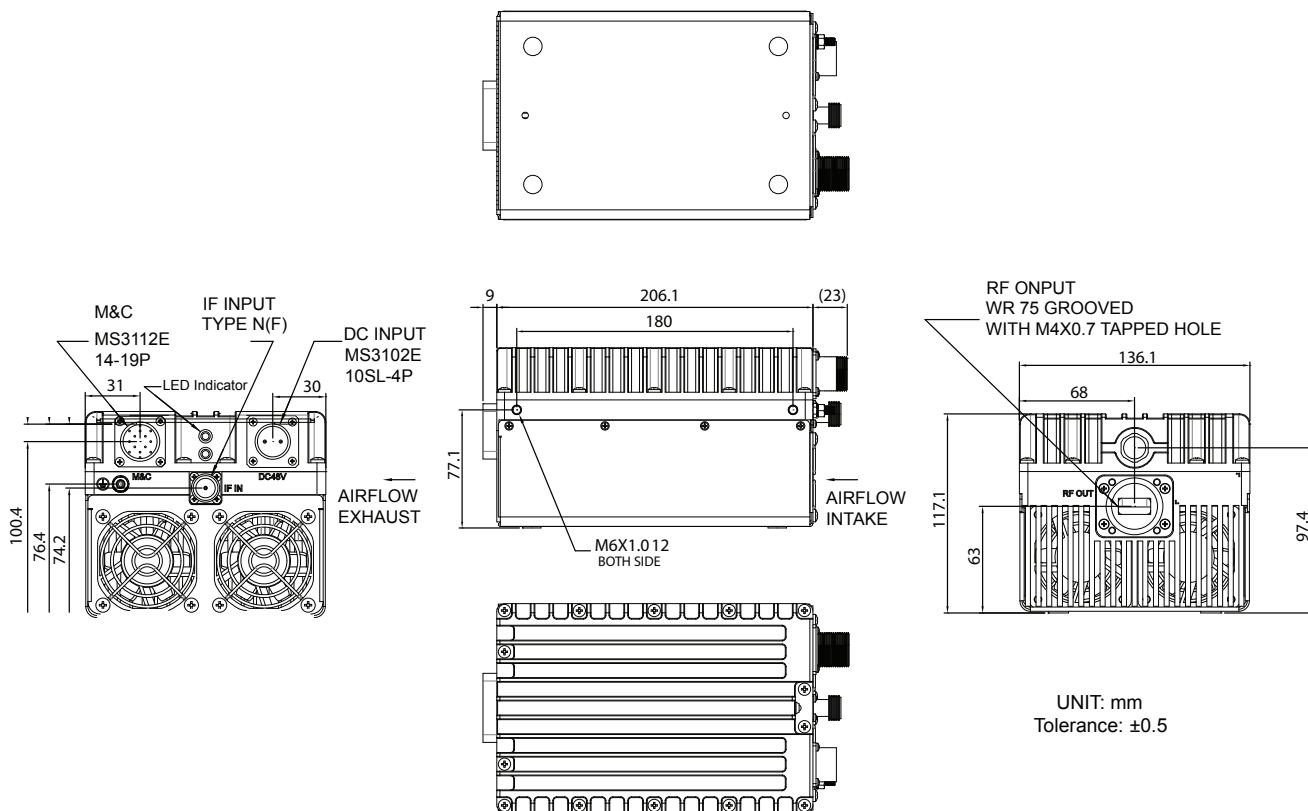
POWER

Power requirements	+36 to +72V, 48 VDC nominal 48 VDC over IFL optional
Power Consumption	135W at rated power 120W at 3 dB back-off from rated

MONITOR & CONTROL

M&C Interface	RS-232 / RS-485 / Ethernet
M&C Connector	1PT02E-14-19P (MS3112)
LED Indicators	Red, Yellow

MECHANICAL DIAGRAM



UNIT: mm
Tolerance: ±0.5