

## Product Highlights

### Precision Monitoring

Pan, tilt, and zoom apparatus provides a 360 degree range of motion with proportional speed adjustment

### Wide Dynamic Range (WDR)

Wide Dynamic Range technology neutralizes imperfect lighting, providing clear video with the right amount of contrast even when a subject is backlit

### Triple Codec Streaming

Real-time video compression using the H.264, MPEG-4, and MJPEG codecs



## DCS-6616

# 12X Speed Dome Network Camera

## Features

- Sony Super HAD-II 1/4" CCD sensor
- WDR/BLC for critical light sources
- Excellent image quality and low light performance
- Built-in mechanical IR cut filter for day/night surveillance
- 12X optical zoom and 12X digital zoom
- Focal length: 3.4 to 61.2 mm
- Field of view (Horizontal): 60.8° to 3.6°
- 650 TVL high resolution video
- 3D deinterlacing
- 2D/3D noise reduction
- Real-time H.264, MPEG-4, and Motion JPEG compression
- Simultaneous multi-stream support
- 2-way audio support
- 3GPP mobile surveillance
- ONVIF-Certified
- Built-in Samba client for NAS
- Privacy Mask feature
- 8 alarm inputs / 1 alarm output

## 24/7 Camera Surveillance

The DCS-6616 12X Speed Dome Network Camera is an indoor PTZ dome IP camera that can cover large areas and low-light environments. Built with a Sony Super HAD-II 1/4" CCD sensor, the DCS-6616 can capture 650 TVL high-resolution video with excellent image quality. A built-in IR cut mechanical filter allows the camera to capture video in both bright and dark environments.

## Versatile Pan/Tilt/Zoom (PTZ) Functionality

The DCS-6616 is built with an extensive set of PTZ features that allow large areas to be monitored easily. Endless 360° panning allows the camera to sweep an area easily, and 12X optical zoom with auto focus provides the ability to zoom in and focus on an event for more detail. Panning speed is variable and proportional to the zoom ratio for precise control over camera movement. The DCS-6616 can also be set to follow preset sequence paths at set speeds for customized automatic surveillance.

## Wide Dynamic Range (WDR) Applications

The Wide Dynamic Range (WDR) function provides clear images even under backlit conditions where the intensity of illumination can vary significantly, making the DCS-6616 perfect for extreme high-contrast environments. For example, the DCS-6616 will adjust itself to the intense sunlight that may be streaming in through a window in the background. This makes it an ideal solution for lobbies, retail stores and shipping bays.

### Flexible Connectivity

The DCS-6616 includes input and output ports that allow connectivity to external devices such as IR sensors, switches, and alarm relays. It includes audio input and output ports, and a video output for direct connection to a TV for live monitoring.

### Multiple Video Streams

The DCS-6616 supports simultaneous streaming of H.264, MPEG-4, and MJPEG video to provide both high-quality and bandwidth-efficient compression formats. MJPEG delivers excellent file integrity, and is ideal for situations which require high image detail. H.264 and MPEG-4 produce a small file size, useful for extended recording or for use in low-bandwidth networks.

### D-ViewCam™ for Management

The included D-ViewCam™ IP camera surveillance software is a comprehensive surveillance system designed to centrally manage multiple IP cameras. Supporting up to 32 IP cameras, D-ViewCam™ is compatible with all current D-Link IP cameras

and offers digital monitoring and recording capabilities of video, audio, and events for various security applications. The D-ViewCam™ software is included free of charge with the DCS-6616.

### Open Network Video Interface Forum (ONVIF)

ONVIF is an open industry forum for the development of a global standard for the interface of IP-based physical security products. ONVIF identifies a standard for how IP products within video surveillance and other physical security areas can communicate with each other ensuring interoperability between products regardless of brand. The DCS-6616 is ONVIF-compliant and therefore compatible with many third party Video Management Software (VMS) solutions.

## Technical Specifications

### Camera

Hardware Profile	<ul style="list-style-type: none"> <li>• Sony Super HAD-II 1/4" CCD sensor</li> <li>• 650 TVL resolution</li> <li>• Minimum illumination: 0.1 lux (Color), 0.01 lux (B/W)</li> <li>• Built-in Infrared-Cut Removable (ICR) filter module</li> <li>• Electronic shutter: 1 to 1/10000 second</li> </ul>	<ul style="list-style-type: none"> <li>• S/N ratio &gt; 50 dB (AGC off)</li> <li>• 12x optical zoom</li> <li>• Fixed length: 3.8 to 45.6 mm</li> <li>• Aperture: F1.6 to F2.7</li> </ul>
Field of View	<ul style="list-style-type: none"> <li>• Horizontal: 52.8° to 4.49° / Vertical: 39.7° to 3.40°</li> </ul>	
PTZ Hardware Profile	<ul style="list-style-type: none"> <li>• Pan travel: 360° endless</li> <li>• Tilt travel: 10° to 170°</li> <li>• Manual speed: 1° to 80°/second</li> <li>• Presets: 256 points</li> <li>• Preset Accuracy: 0.225°</li> <li>• Preset Speed: 10° to 400°/second</li> <li>• Sequence Paths: 8</li> <li>• Auto Pan Paths: 4</li> </ul>	<ul style="list-style-type: none"> <li>• Cruise Paths: 8</li> <li>• Pan and tilt speed proportional to zoom ratio</li> <li>• Resume after power loss</li> <li>• Home Functions: Preset, Sequence, Auto Pan, Cruise</li> <li>• Auto Flip: Mechanical/Digital/Off</li> <li>• Digital Slow Shutter</li> <li>• Image Freeze</li> <li>• Image Inverse</li> </ul>
Image Features	<ul style="list-style-type: none"> <li>• Configurable image size, quality, frame rate, and bit rate</li> <li>• Time stamp and text overlays</li> <li>• Configurable motion detection windows</li> </ul>	<ul style="list-style-type: none"> <li>• 3 configurable privacy mask zones</li> <li>• Configurable white balance, shutter speed, brightness, saturation, contrast, and sharpness</li> </ul>
Video Compression	<ul style="list-style-type: none"> <li>• H.264/MPEG-4/MJPEG simultaneous format compression</li> </ul>	<ul style="list-style-type: none"> <li>• JPEG for still images</li> </ul>
Video Resolution	<ul style="list-style-type: none"> <li>• NTSC: 720 x 480, 352 x 240, 176 x 120 at up to 30 fps</li> <li>• PAL: 720 x 576, 352 x 288, 176 x 144 at up to 25 fps</li> </ul>	
Audio Support	<ul style="list-style-type: none"> <li>• G.726</li> </ul>	
External Device Interface	<ul style="list-style-type: none"> <li>• 10/100 BASE-TX Ethernet port</li> <li>• 8 alarm inputs</li> <li>• 1 alarm output</li> </ul>	<ul style="list-style-type: none"> <li>• Audio input/output</li> <li>• Video output</li> </ul>

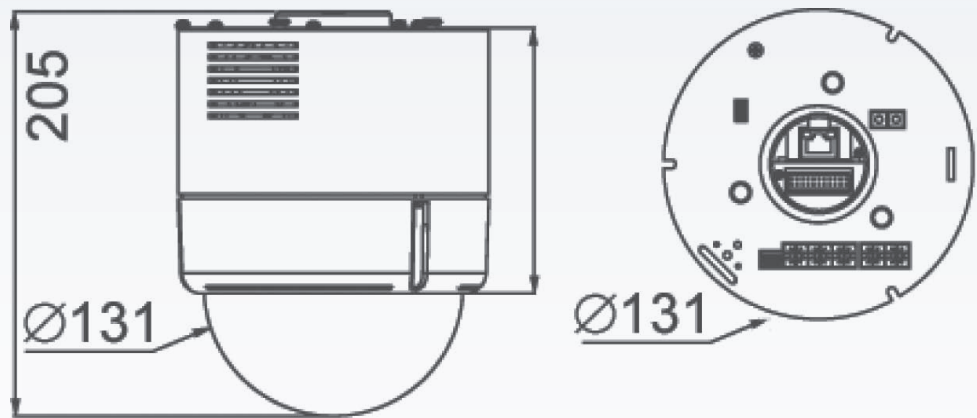
Network	
Network Protocols	<ul style="list-style-type: none"> <li>• IPv4</li> <li>• TCP/IP</li> <li>• UDP</li> <li>• ICMP</li> <li>• DHCP Client</li> <li>• NTP Client (D-Link)</li> <li>• DNS Client</li> <li>• DDNS Client (D-Link)</li> <li>• SMTP Client</li> <li>• FTP Client</li> </ul>
Security	<ul style="list-style-type: none"> <li>• HTTP / HTTPS</li> <li>• Samba Client</li> <li>• PPPoE</li> <li>• UPnP Port Forwarding</li> <li>• RTP / RTSP / RTCP</li> <li>• IP filtering</li> <li>• 3GPP</li> <li>• IGMP</li> <li>• ONVIF-Compliant</li> </ul>
Security	<ul style="list-style-type: none"> <li>• Administrator and user group protection</li> <li>• Password authentication</li> <li>• HTTP and RTSP digest encryption</li> </ul>
System Management	
System Requirements for Web Interface	<ul style="list-style-type: none"> <li>• Operating System:               <ul style="list-style-type: none"> <li>- Windows® 7, Windows Vista®, Windows® XP, Windows® 2000</li> </ul> </li> <li>• Browser:               <ul style="list-style-type: none"> <li>- Internet Explorer, Mozilla Firefox, Netscape, Opera</li> </ul> </li> </ul>
Event Management	<ul style="list-style-type: none"> <li>• Motion detection</li> <li>• Event notification and upload snapshots/video clips via HTTP, SMTP or FTP</li> <li>• Supports multiple HTTP, SMTP and FTP servers</li> <li>• Multiple event notification</li> <li>• Multiple recording methods for easy backup</li> </ul>
Remote Management	<ul style="list-style-type: none"> <li>• Configuration accessible via web browser</li> <li>• Take snapshots/video clips and save to local hard drive or NAS via web browser</li> </ul>
Mobile Support	<ul style="list-style-type: none"> <li>• Windows 7®/Vista®/XP® system, Pocket PC, or mobile phone with 3GPP playback support</li> </ul>
D-ViewCam™ System Requirements	<ul style="list-style-type: none"> <li>• Operating System: Microsoft Windows 7/Vista/XP</li> <li>• Web Browser: Internet Explorer 6 or higher</li> <li>• Protocol: Standard TCP/IP</li> </ul>
D-ViewCam™ Software Functions	<ul style="list-style-type: none"> <li>• Remote management/control of up to 32 cameras</li> <li>• Viewing of up to 32 cameras on one screen</li> <li>• Supports all management functions provided in web interface</li> <li>• Scheduled motion triggered or manual recording options</li> </ul>
General Specifications	
Power Input	<ul style="list-style-type: none"> <li>• DC 12V/2A</li> </ul>
Max. Power Consumption	<ul style="list-style-type: none"> <li>• 14 watts</li> </ul>
Environment	<ul style="list-style-type: none"> <li>• Indoor Only</li> </ul>
Operating Temperature	<ul style="list-style-type: none"> <li>• 32 to 104° F (0° to 40° C)</li> </ul>
Storage Temperature	<ul style="list-style-type: none"> <li>• -4° to 158° F (-20° to 70° C)</li> </ul>
Humidity	<ul style="list-style-type: none"> <li>• 20% to 80% non-condensing</li> </ul>
Weight	<ul style="list-style-type: none"> <li>• 1.23lbs (560 grams)</li> </ul>
Certifications	<ul style="list-style-type: none"> <li>• CE (Class A)</li> <li>• CE LVD (EN60965-1)</li> <li>• FCC (Class A)</li> <li>• ICES-003</li> <li>• C-Tick</li> </ul>
Dimensions	<ul style="list-style-type: none"> <li>• Height: 8.07" (205mm)</li> <li>• Diameter: 3.16" (131mm)</li> </ul>

# DCS-6616 12X Speed Dome Network Camera

Warranty	
Warranty	•1-Year Limited <sup>1</sup>
Order Information	
Part Number	Description
DCS-6616	12X Speed Dome Network Camera

<sup>1</sup>1-Year Limited Warranty available only in the USA and Canada. All references to speed are for comparison purposes only. Product specifications, size and shape are subject to change without notice, and actual product appearance may differ from that depicted herein.

Updated 05/24/12



## For more information

**U.S.A.** | 17595 Mt. Herrmann Street | Fountain Valley, CA 92708 | 800.326.1688 | [dlink.com](http://dlink.com) **Canada** | 2525 Meadowvale Blvd | Mississauga, ON L5N 5S2 | 800.361.5265 | [dlink.ca](http://dlink.ca)

©2012 D-Link Corporation/D-Link Systems, Inc. All rights reserved. D-Link, the D-Link logo, and D-ViewCam are trademarks or registered trademarks of D-Link Corporation or its subsidiaries in the United States and/or other countries. Other trademarks or registered trademarks are the property of their respective owners. Visit [www.dlink.com](http://www.dlink.com) for more details.



**D-Link**<sup>®</sup>  
Building Networks for People